

- C18040_ AMY-50-S2 = 8.48
- C17683_ AMY-50-S2 = 8.48
- C17686_ AMY-50-S = 8.57
- C17687_ AMY-50-M = 8.57
- C17688_ AMY-50-W = 8.57
- C17689_ AMY-50-WW = 8.57

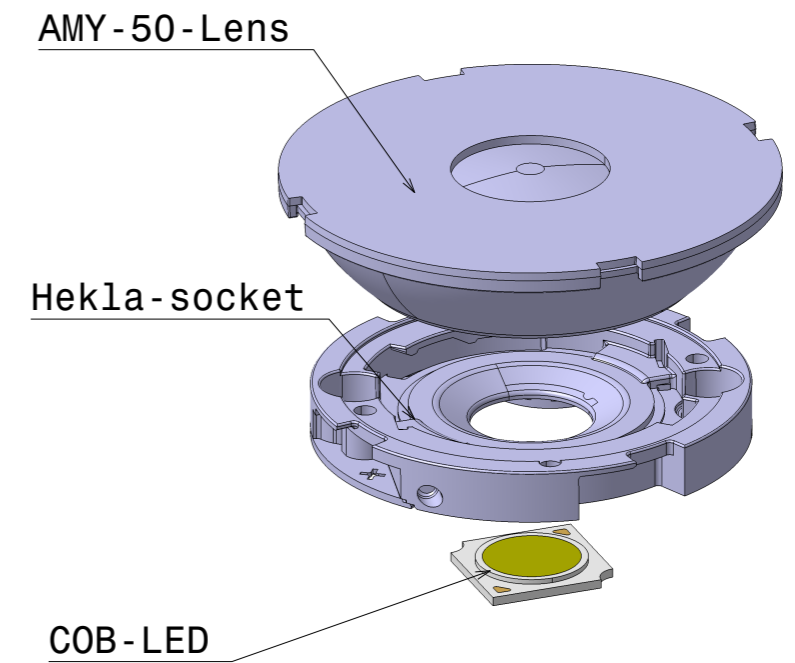
- C18040_ AMY-50-S2 = 2.23
- C17683_ AMY-50-S2 = 2.23
- C17686_ AMY-50-S = 2.4
- C17687_ AMY-50-M = 2.34
- C17688_ AMY-50-W = 2.4
- C17689_ AMY-50-WW = 2.4

Optically optimal
LES/LED Chip location

- C18040_ AMY-50-S2 = 33.45
- C17683_ AMY-50-S2 = 33.45
- C17686_ AMY-50-S = 33.45
- C17687_ AMY-50-M = 33.45
- C17688_ AMY-50-W = 33.45
- C17689_ AMY-50-WW = 33.37

Optical center

Example assembly:



Notes

- PCB or heatsink level.
- LED location
- Ensure LED fitting from a product specific 3D model available from www.ledil.com
- For more details about installation please see LEDiL Installation Guide on www.ledil.com

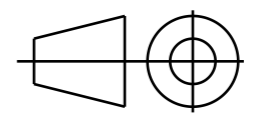
PART	TYPE	MATERIAL	COLOR
C17683/C17686/C17687/C17688/C17689/C18040_ AMY-50	Lens	PMMA	Clear

MECHANICAL DRAWING

PRODUCT
AMY-50-Lens

Plastic moulding general tolerances according to DIN 16901-130 and applies if not otherwise shown in the drawing.
Silicone moulding general tolerances according to ISO 3302-1 Class M3 and applies if not otherwise shown in the drawing.

FIRST ANGLE PROJECTION:



SCALE 1:1

WEIGHT -

LEDiL[®]

This drawing is the property of LEDiL Oy. It may not be copied or otherwise distributed without prior written permission from LEDiL Oy.

A3 SHEET 1/1